

Terrco[®], Inc.

MODEL 2000



OPERATING INSTRUCTIONS MAINTENANCE INSTRUCTIONS ILLUSTRATED PARTS LIST

Terrco[®] Inc.

222 1st Avenue NW • Watertown, SD 57201

Phone: (605) 882-3888 • Fax: (605) 882-0778

Website: www.terrco.com • Email: info@terrco.com

MODEL 2000

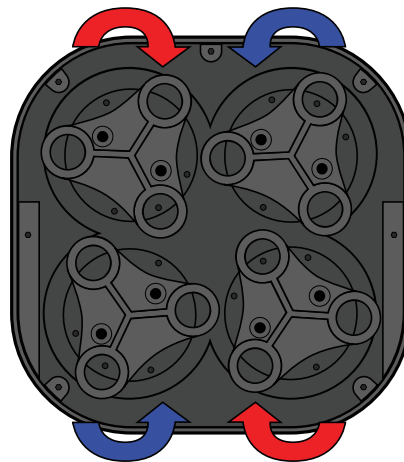
HP/KW	15/11.2 or 10/7.5
SWEEP OF DISCS	22-1/2" (571.5 mm)
ABRASIVE PRESSURE	650 lbs (295 kg)
WIDTH OF MACHINE	24" (610 mm)
LENGTH OF MACHINE	67-1/2" (1715 mm)
HEIGHT OF MACHINE	48" (1219 mm)
NET WEIGHT	800 lbs (363 kg)
SHIPPING WEIGHT	975 lbs (442 kg)
WATER TANK	20 gallons (75.7 l)
POWER CORD (6-3)	100 ft (30.5 m)

* WEIGHT MEASURED WITH FOUR POCKET WEIGHTS

- Optimal for jobs exceeding 5,000 sq. ft.
- Stainless Steel Guards and Water Tanks
- Wet/Dry Setup
- Direct Drive, No Belts
- Uses Plug Stone Shape, Bolt on to Universal Tool Plate, or Speed Shift System

PRODUCTION RATES

- Mastic removal rate of 800 sq. ft. per hour
- Thin-set removal rates of 1200 sq. ft. per hour
- Thin-Mil coatings removal rates of 600 sq. ft. per hour.
- Concrete polishing rates of 2000 sq. ft. per hour (depending of grit)
- Rough Terrazzo rate of 1000 sq. ft. per day



ELECTRICAL OPTIONS

VOLTAGE	230	230	230	460
PHASE	1	3	1	3
DRIVE	MANUAL	MANUAL	VARIABLE	VARIABLE
AMP DRAW	40	37	40	14
BREAKER (AMPS)	60	60	60	30
STONE HOLDER RPM	550	550	500-740	500-740

* VALUES BASED ON A 10 HP MOTOR

Terrco[®] Inc.

222 1st Avenue NW • Watertown, SD 57201

Phone: (605) 882-3888 • Fax: (605) 882-0778

Website: www.terrco.com • Email: info@terrco.com

SAFETY PRECAUTIONS

This machine is intended for commercial use.

It is designed exclusively to grind and polish Terrazzo and concrete floors.

Use only recommended accessories and abrasives.

When the machine is in need of repair, use only Terrco approved parts.

All operators must read, understand and practice the following safety precautions.



WARNING: Rotating grinding wheels can cause injury, keep hands and loose clothing clear.



WARNING: Disconnect power at the machine before servicing or changing grinding stones.



WARNING: Always check ground (earth) connection prior to operating machine.

FOR SAFETY:

- Have electrician hook up power to machine.
- Always operate machine with ground fault protection.
- Eye, hearing and respiratory protection advised.
- Service and adjust guards for maximum protection. Never remove the guards.
- Keep machine clean and properly serviced.

SAFETY LABEL

The safety label is located on the drive box of the machine.
Replace label if it is damaged or illegible.

 WARNING  FOR SAFETY, READ OWNERS MANUAL BEFORE USING MACHINE	
	ROTATING CUTTERS KEEP GUARDS IN PLACE AND ADJUSTED KEEP HANDS AND FEET AWAY WHEN OPERATING
	WEAR EYE AND HEARING PROTECTION WHILE OPERATING THE MACHINE
	GRINDING CAN GENERATE DUST DUST MAY AFFECT BREATHING AVOID DUST CONTACT BY USE OF MASK OR RESPIRATOR
	DISCONNECT POWER BEFORE CHANGING TOOLING OR SERVICING THE MACHINE ALWAYS CHECK GROUND (EARTH) PRIOR TO OPERATING MACHINE



MODEL 2000

OPERATING AND MAINTENANCE INSTRUCTIONS



INTRODUCTION

This Manual has been prepared to assist you in the proper maintenance and operation of your Terrco® Machine. Please bear in mind that your Terrco® 2000 is a precise piece of machinery manufactured to exacting standards. In order for you to obtain maximum use of your Terrco® 2000, we suggest that you read this manual completely and thoroughly before attempting to operate your machine. A parts diagram and parts list are included to assist you in ordering the proper parts. Always give the machine number and model number when ordering your repair parts.

PRELIMINARY PROCEDURES TO FOLLOW BEFORE OPERATING MACHINE FOR THE FIRST TIME:

DELIVERY OF MACHINE

1. On delivery the contractor should very carefully examine the shipping crate to see that it has not been mishandled. Before accepting the shipment, uncrate the machine and very carefully examine the machine to ensure that nothing has been damaged. If damage is noted, request an inspection immediately and request a copy of the claim report. When accepting the machine from the delivery carrier, note the damage on the bill of lading before signing.

2. Terrco® **WILL NOT** honor any claims for broken, damaged, or missing parts that may have occurred in shipping, as each machine is checked and inspected before leaving our plant.

The machine has been fully lubricated at the factory before shipping.

ON-THE-JOB INSTRUCTIONS

INSTALLATION INSTRUCTIONS-STONES

1. Move the counterbalancing weights to the upper weight baskets.
2. Tilt the machine back so that the caster wheel rests on the floor.
3. Clean mounting surface both on plug stone and stone holder. On 2" or 3" diameter plug stone, push stone in the hole and give the stone a slight twist to be certain it is securely in place.
4. Grasp machine handle and lower the machine slowly to the floor. Make certain no stones have fallen or loosened while lowering the machine.
5. Return the counterbalancing weights to the lower weight baskets.

TRANSPORTING THE MACHINE

1. With the counterbalancing weights in the upper weight baskets, tilt the machine so that the caster wheel is firmly on the floor. You can push from the gearcase side.

TO OPERATE THE MACHINE

1. Disconnect the electrical source.
2. Install the stones per instructions in installation section.
3. After stones are installed, lower the machine until it is in operating position.

CAUTION! - Never attempt to start the machine while lowering it to the floor, as rear stones will strike on corners resulting in thrown stones and possible damage to the machine and/or floor surface.

4. Before plugging into the electrical system, check the voltage at the source. The minimum acceptable voltage is (208 Volt, 60 HZ, single phase), (210/420 Volt, 60 HZ, 3 phase), or (380 Volt, 50 HZ, 3 phase).

5. If the machine is to operate in an area more than 100 feet from the source, it will be necessary to use the next larger size cable (#4-4) from the source to 100 feet of #6-4 wire cable that was furnished with the machine.



MODEL 2000

OPERATING AND MAINTENANCE INSTRUCTIONS



6. After you have the cable in place, relieve pressure on the handle and push the start button on the starter switch, then releasing the pressure on the handle to lower the machine back to the floor.
7. We recommend that the first pass over the floor be made with the weights in the upper wight baskets. After the floor is "roughed" out, move the weights to the weight baskets located on the gear case for maximum abrasive pressure.
8. Be sure to periodically check stone wear, to prevent grinding with the steel plugs, rather than the stones.

GENERAL MAINTENANCE AND REPAIR INSTRUCTIONS

THE LUBRICATION OF THE MACHINE

1. The lubrication of the main gear case.
 - The main gear case contains Mobilith AW-1 grease.
 - Gear case level should be checked once a year. The level of the grease in the gear case should be half way up, to just covering the thickness of the driven gears (Ref. number 13 and 16 on the parts list (gear case assembly)). **DO NOT FILL TO THE TOP!** The drive gear must **NOT** be covered, as you will create a pressure build-up that will damage seals and cause grease leakage.
2. The lubrication of the wheel bearings.
 - Use grease gun and give 2 shots of grease once every month on each wheel with Mobilith AW-1 or equivalent.
3. Location of additional grease fittings/zerks.
 - Four fittings on bearing caps on top of gear case (Ref. number 30 on the parts list (gear case assembly)).
 - Lubricate these fittings with 2 shots of grease every month with Mobilith AW-1 or equivalent.

KEEPING MACHINE CLEAN

1. Schedule daily cleaning after each days grinding.
 - Tilt machine back on handle.
 - Clean under carriage with water using a garden hose and nozzle.
 - Clean all grease fittings.
2. Do not let any build-up of cement grinding paste occur as this could create an overload on your machine, as well as more weight to push.
3. Avoid direct spraying of drives/ starter boxes if using a pressure washer to clean the machine.

REPLACEMENTS OF WORN, DAMAGED, OR MISSING PARTS

1. Advantages
 - If worn parts (bearings, gears, etc) are not replaced promptly, serious damage to your machine could occur.
 - Your machine will operate more efficiently with new Terrco® parts.
2. Use only authorized Terrco® parts as our warranty will not apply if other than factory authorized Terrco® parts are used.

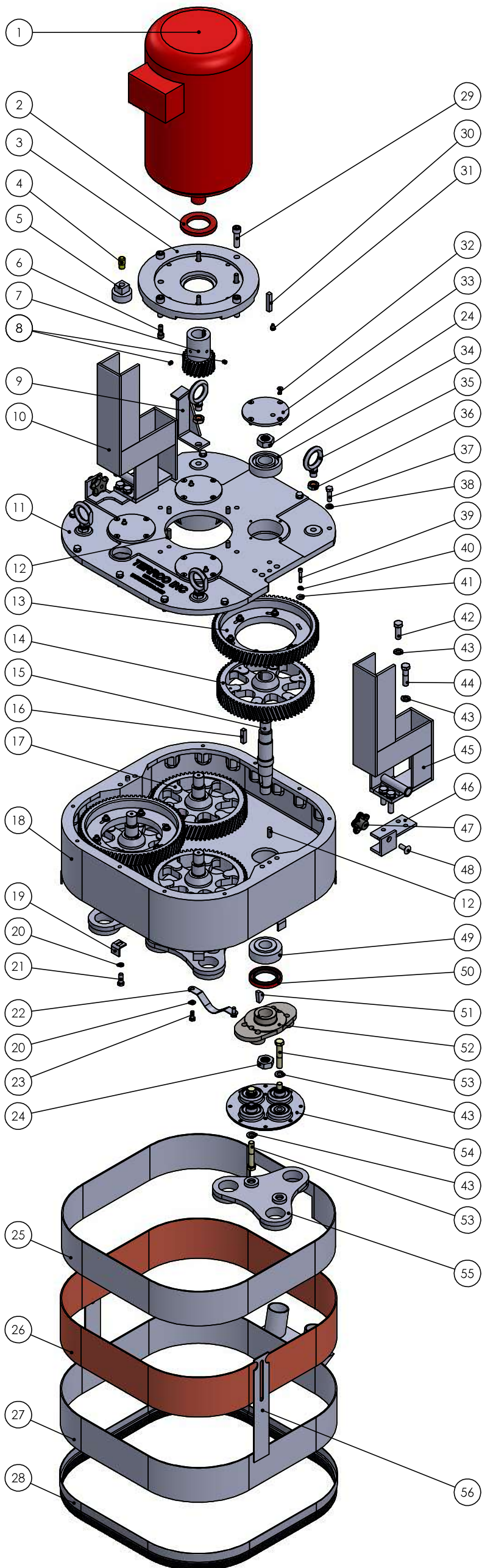
MORFLEX FLEXIBLE COUPLINGS

1. Bolts, (Ref. number 52 on gear case assembly) should be checked weekly for tightness. Loose bolts cause extreme vibrations and premature failure of rubber inserts in the couplings.
2. Your flexible couplings (Ref. number 53 on gear case assembly) should be changed a minimum of once a year whether you use your machine or not.

STONE WEAR AND REPLACEMENT

1. Check your stones for wear periodically, as the stones may be worn flush with stone holder plugs and the operator may be grinding with steel stone spiders.

Model 2000 Parts List (Gear Case)



ITEM NO.	PART NUMBER	DESCRIPTION	QTY.
1	FL 124	10HP,3PH,230/460 VOLT,60HZ ELECTRIC MOTOR	1
	FL 115	15HP,3PH,1800RPM,MOTOR	
2	FL 118	MOTOR PLATE SEAL	1
3	FL 012C	MOTOR MOUNTING PLATE	1
4	DS 184	BREATHER CAP	1
5	X-100	1.5" NPT PIPE PLUG,SQ.HD,GALVANIZED	1
6	T2111	SOCKET HEAD CAPSCREW 3/8-16 X 1" LG	4
7	FL 011	22-TOOTH PINION	1
8	T2157	SOCKET HEAD CAPSCREW 5/16-18 X 1/2	2
9	FL 134	TILT STOP	1
10	X-120L	LIFT BRACKET, WEIGHT BASKET - L	1
11	FL 003C	ALUMINUM GEAR CASE COVER,2000	1
12	FD 040	DOWEL PIN 3/8 X 1" LG	6
13	FL 006	DRIVE GEAR	2
14	FL 005R	DRIVEN GEAR - R	2
15	SM 016	HELICAL GEAR SHAFT	4
16	SM 072	HELICAL GEAR KEY	4
17	FL 005L	DRIVEN GEAR - L	2
18	FL 001C	ALUMINUM GEAR CASE,2000	1
19	SM 028	DRIVING SPIDER GUARD BRACKET	9
20	T1007	LOCK WASHER	11
21	T2013	3/8-16 X 1" LG HEX HEAD CAPSCREW	9
22	SM 172	HOSE CLAMP	1
23	T2130	5/16-18 X 3/4" LG HEX HEAD CAPSCREW	2
24	T2008	LOCK NUT	8
25	FL 122	STOP NUT 1"-14 JAM	1
26	FL 030	DUST GUARD SEAL FOR MODEL 2000	1
27	FL 123	ADJUSTABLE SPLASH GUARD, STAINLESS	1
28	LW 078(2000)	BRUSH STRIP MATERIAL FOR DRY GUARDS	1
29	T3048	1/2-13 X 1-3/4" LG SOCKET HD CAPSCREW	4
30	FE 114	MOTOR KEY	1
31	000170	GREASE FITTING 1/8" NPT STRAIGHT	4
32	T3011	1/4-28 X 5/8 LG SOCKET FLAT HEAD	16
33	FE 027	BEARING CAP	4
34	SM 043, SM 037	UPPER BEARING CONE & CUP	4
35	X-16	LIFTING RING	4
36	T3050	5/8-11 HEX JAM NUT	4
37	T1025	3/8-16 X 1-1/4 LG HEX HEAD CAPSCREW	9
38	T1022	3/8 MEDIUM LOCKWASHER	9
39	T1089	1/4-28 X 1-1/4 LG SOCKET HEAD CAPSCREW	12
40	T1030	LOCK WASHER, 1/4"	12
41	T3015	1/4" USS WROUGHT WASHER	12
42	T1009	1/2-13 X 1-1/2 LG HEX HEAD CAPSCREW	4
43	T1012	1/2" LOCK WASHER MEDIUM	24
44	T1024	CAPSCREW	4
45	X-120R	LIFT BRACKET, WEIGHT BASKET - R	1
46	X-118R	GUARD BRACKET - L	1
47	SM 537	HAND KNOB	2
48	T2029	CARRIAGE BOLT 3/8-16 X 1" LG	2
49	SM 036, SM 037	LOWER BEARING CONE & CUP	4
50	SM 169	GEAR SHAFT GREASE SEAL	4
51	T2012	WOODRUFF KEY	4
52	SM 500	DRIVING SPIDER	4
53	SM 171	MORFLEX COUPLING BOLT,ADV. J27B	16
54	SM 088	COUPLING	4
55	FL 004C	PLUG STONE HOLDER	4
	FL 130	SPEED SHIFT PLATE FOR MODEL 2000	
	FL 121	TOOL PLATE,602/702 CPLG.	
56	FL 133	GUARD STRAP	2

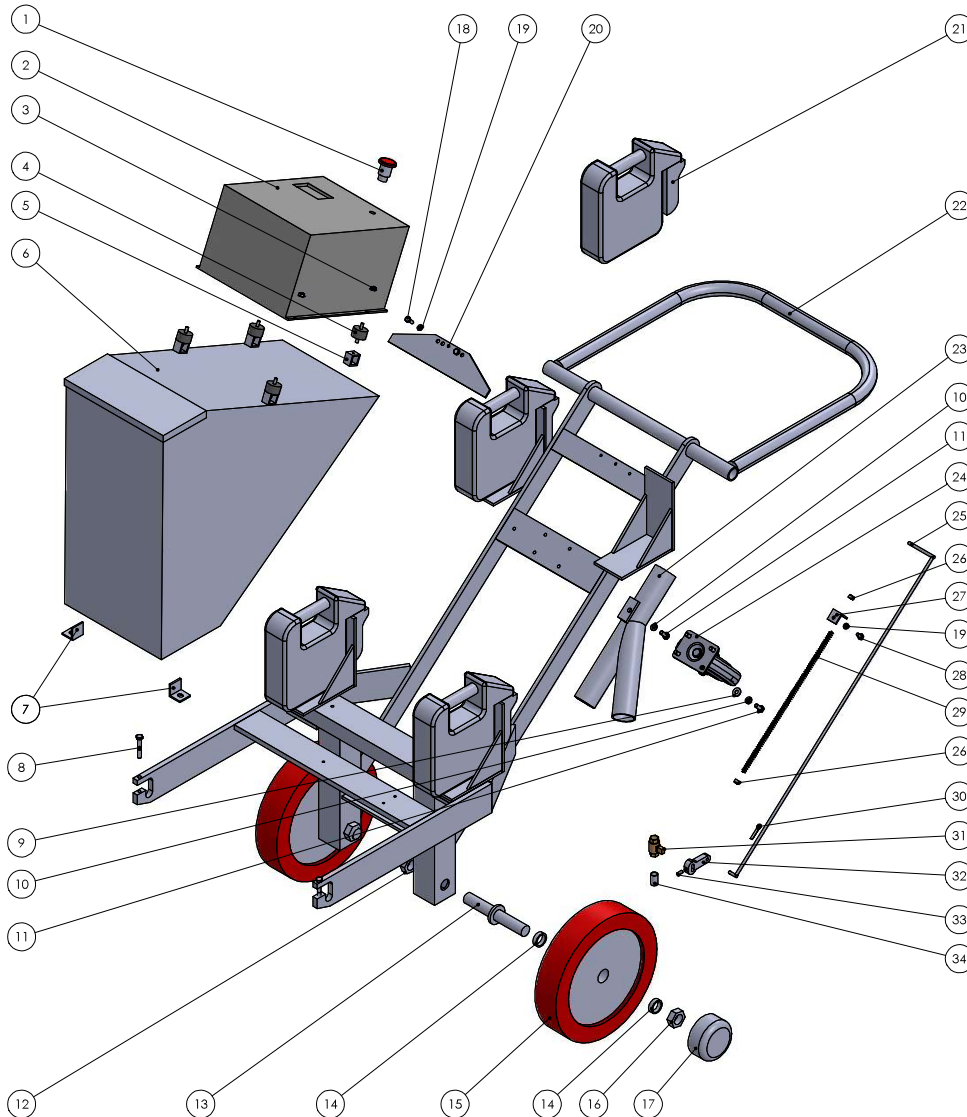


Terrco® Inc.
 222 1st Avenue NW • Watertown, SD 57201
 Phone: (605) 882-3888 • Fax: (605) 882-0778
 Website: www.terrco.com • Email: info@terrco.com





MODEL 2000 PARTS LIST (HANDLEBAR ASSEMBLY)



ITEM NO.	PART NUMBER	DESCRIPTION	QTY.
1	LW 076	EMERGENCY STOP SWITCH ASSY	1
2	FE 491	YASKAWA 230 VOLT, 56 AMP	1
	FE 493	YASKAWA 460 VOLT, 38 AMP, 25 HP	
3	T2003	HEX HEAD NUT 1/4-20	4
4	FE 251	VIBRATION MOUNT	4
5	X-84	MOUNTING CLIP, SWITCHBOX	4
6	FE 031B-SS	STAINLESS STEEL WATER TANK, 2000	1
7	FE 133-SS	WATER TANK CLIP-STAINLESS STEEL	2
8	Z02-1330	Capscrew	2
9	T3015	1/4" USS WROUGHT WASHER	4
10	T1007	LOCK WASHER	5
11	T2130	5/16-18 X 3/4" LG HEX HEAD CAPSCREW	5
12	T2007	1"-14 JAM NUT	2
13	FE 020B	SHAFT WHEEL	2
14	T2141	WHEEL BEARING SPACER	4
15	DS 007	WHEEL	2
16	T2008	LOCK NUT	2
17	DS 005	WHEEL CAP	2
18	T1031	1/4-20 X 3/4 LG HEX HEAD CAPSCREW	2
19	T1030	LOCK WASHER	3
20	FE 074	WATER TANK BRACE	1
21	FE 246	POCKET WEIGHT,CASTING,42lbs.	4
22	FLN 009A	2000 HANDLE ASSEMBLY-NEW STYLE	1
23	SM 457	2" Y SECTION - DRY	1
24	HB 088A	CASTER WHEEL/2000	1
25	FL 114	TANK ROD	1
26	SM 186	HANDLE SPACER COLLAR	2
27	FD 043	WATER GUIDE BRACKET	1
28	T2122	1/4-20 X 1/2 LG HEX HEAD CAPSCREW	1
29	SM 182	HANDLE SPRING,COMPRESSION	1
30	T2082	COTTER PIN, 1/4 X 2 1/2	1
31	SM 174	WATER TANK VALVE	1
32	SM 170X	LEVER,WATER VALVE FOR 2000	1
33	T3007	1/4-20 X 1/2 LG SOCKET SET SCREW	1
34	SM 175	VALVE STEM	1



WARRANTY CLAIM PROCEDURE



Each new machine is covered by two separate, distinct warranties: one on the machine and one on the electric motor or gasoline engine. Read **VERY CAREFULLY** the Terrco® warranty covering the machine, as this will tell you whether you have a warranty claim or not. If your machine is under warranty and malfunctions, determine whether your problem is electrical or mechanical, and do the following:

ELECTRICAL

1. Consult the list of authorized motor repair stations sent with the machine and locate the station nearest you.
2. Contact the repair station, giving them the following information:
 - Complete nameplate date from the motor.
 - Tell them that the machine is a terrazzo grinding and polishing machine.
 - Give them a description or rundown of the trouble.
 - Inform them of the voltage and amperage readings as outlined on page 2 of this manual.

MECHANICAL

1. Contact your Terrco® Distributor giving them the following:
 - Model and date purchased.
 - Horsepower.
 - Accurate description of the malfunction.
2. If there is no Terrco® Distributor in your area call or write to us with the above information.



LIMITED ONE YEAR WARRANTY



TERRCO® Inc. warrants the original purchaser of the Terrco® grinding equipment to be free from defects in materials and workmanship under normal use and service. Our obligation under this warranty shall be limited to the repair or exchange of any part or parts which may prove defective under normal use and service within one year from date of purchase by, the original purchaser, and which our examination shall disclose to our satisfaction to be defective.

All equipment returned for repairs or exchange must be returned to: TERRCO®, Inc., at the purchaser's expense and within the warranty period. All repaired or exchanged equipment will be shipped back to the purchaser F.O.B. Watertown, South Dakota.

THIS WARRANTY IS EXPRESSLY IN LIEU OF ALL OTHER WARRANTIES EXPRESSED OR IMPLIED INCLUDING THE WARRANTIES OF MERCHANTABILITY AND FITNESS FOR USE AND ALL OTHER OBLIGATIONS OR LIABILITIES ON THE PART OF TERRCO®, INC. AND WE NEITHER ASSUME OR AUTHORIZE ANY OTHER PERSON TO ASSUME FOR US, ANY OTHER LIABILITY IN CONNECTION WITH THE SALE OF THIS EQUIPMENT. SOME STATES DO NOT ALLOW THE EXCLUSIONS OR LIMITATIONS ON IMPLIED WARRANTIES OR DO NOT ALLOW THE EXCLUSION OF LIMITATION OF INCIDENTAL OR CONSEQUENTIAL DAMAGES, SO THE ABOVE EXCLUSIONS OR LIMITATIONS MAY NOT APPLY TO YOU. THIS WARRANTY SHALL NOT APPLY TO ANY EQUIPMENT OR PART THEREOF WHICH HAS BEEN SUBJECT TO ACCIDENT, NEGLIGENCE, ALTERATIONS, ABUSE, MISUSE, OR IMPROPER MAINTENANCE. TERRCO®, INC. MAKES NO WARRANTIES WHATSOEVER IN RESPECT TO ACCESSORIES OR PARTS NOT MANUFACTURED OR SUPPLIED BY US.